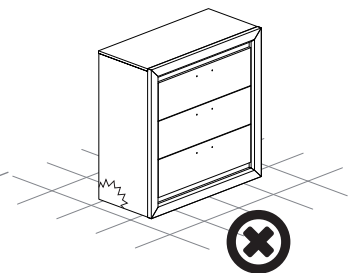
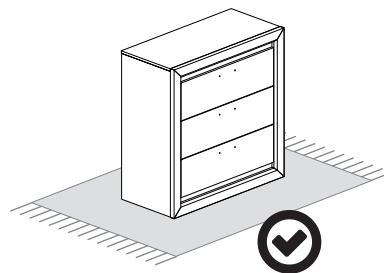
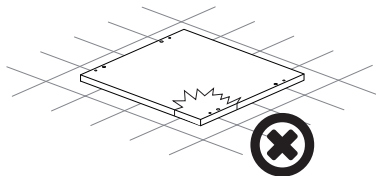
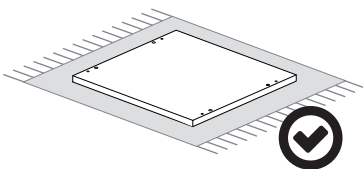
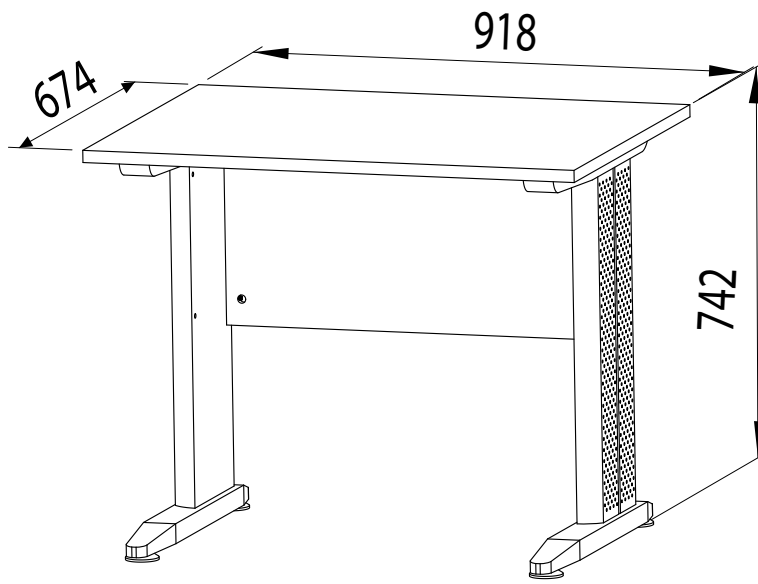
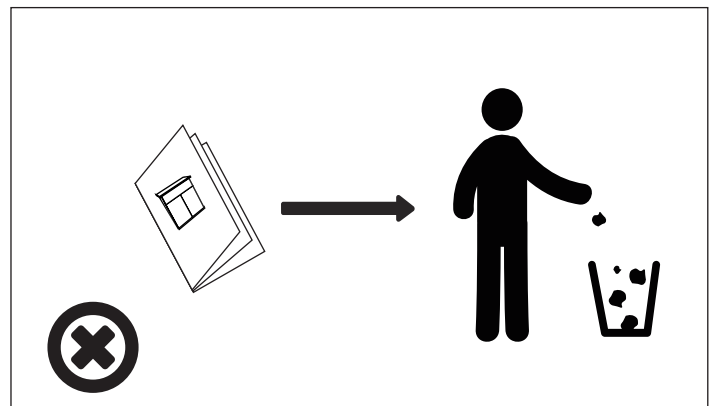
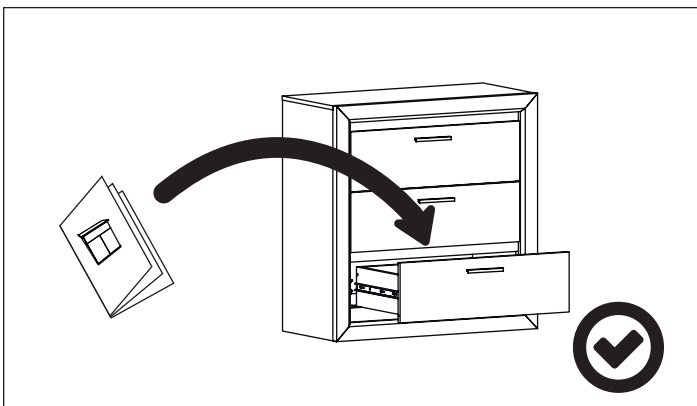
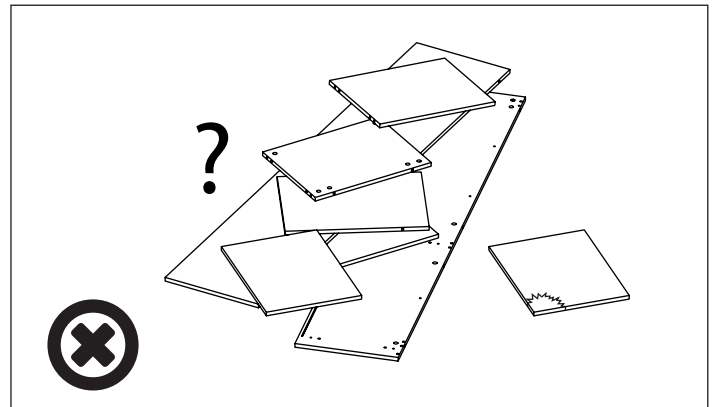
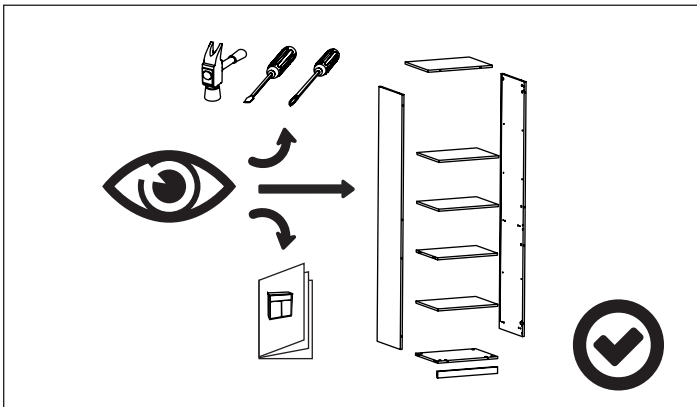
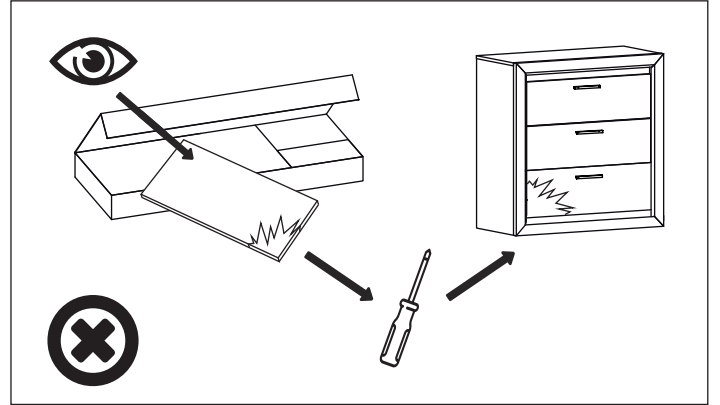
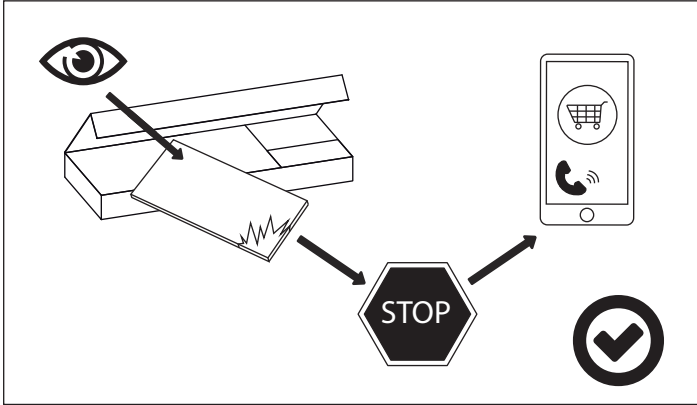
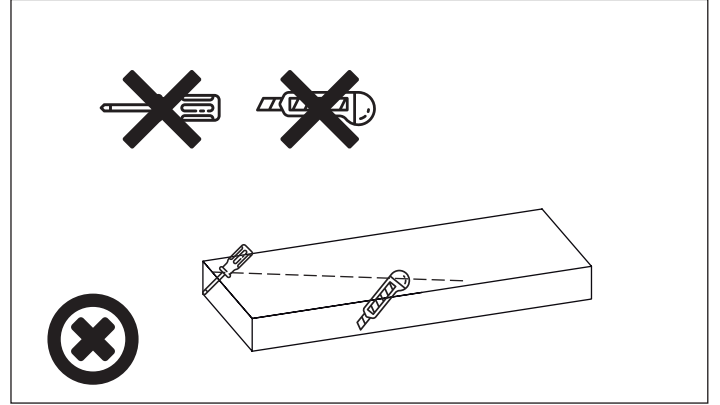
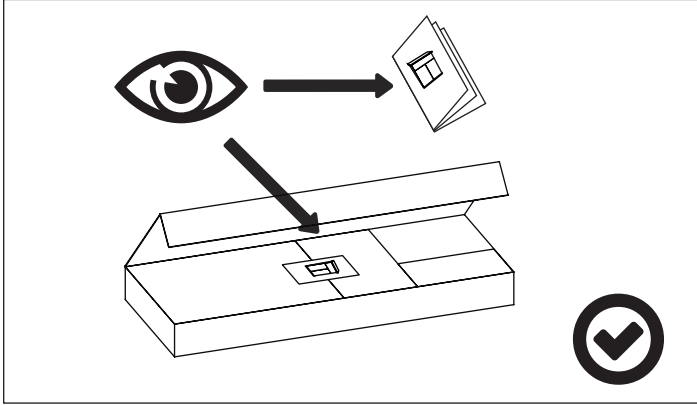
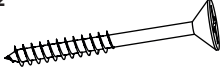
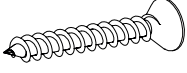


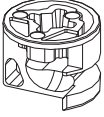



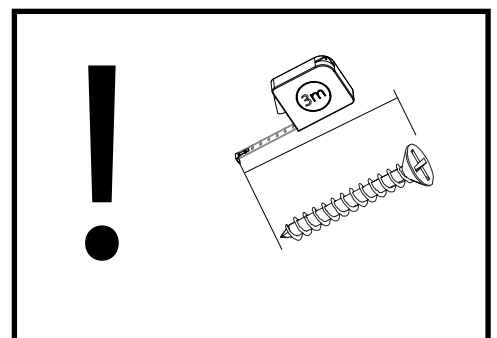
# OPTIMAL 16

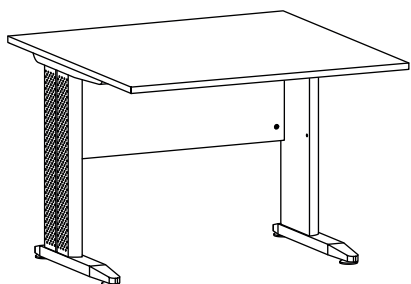







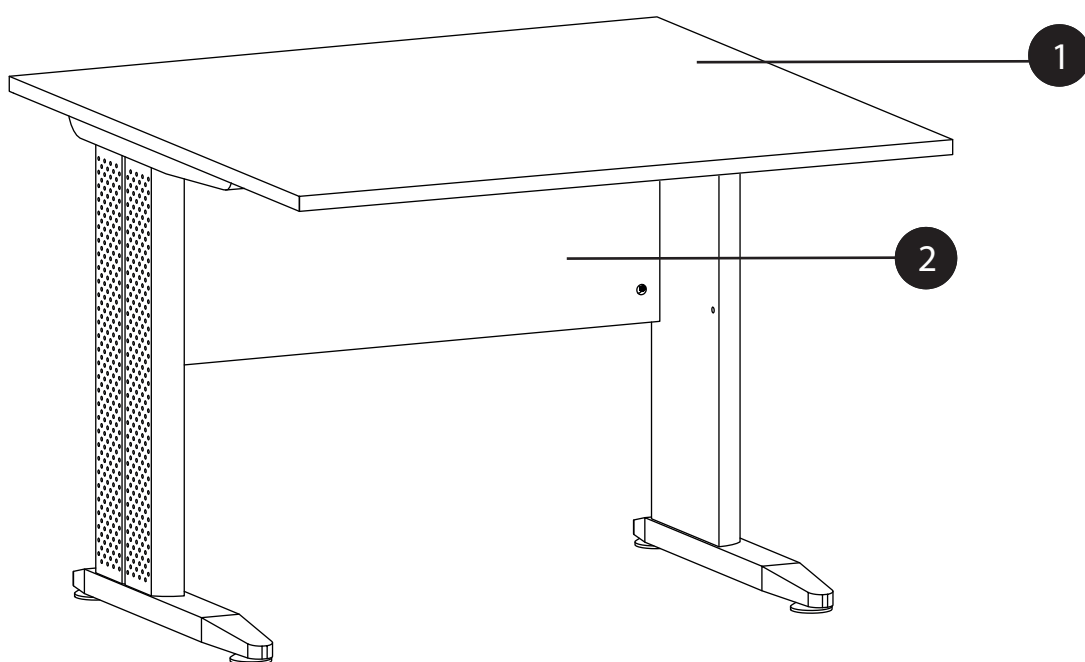
# OPTIMAL 16

<p>WT33 x 2 5x55</p> 	<p>WT32 x 2 5x40</p> 	<p>x 1</p> 
<p>ZM6 x 4</p> 	<p>B2 x 4</p> 	<p>ZS2 x 4</p> 

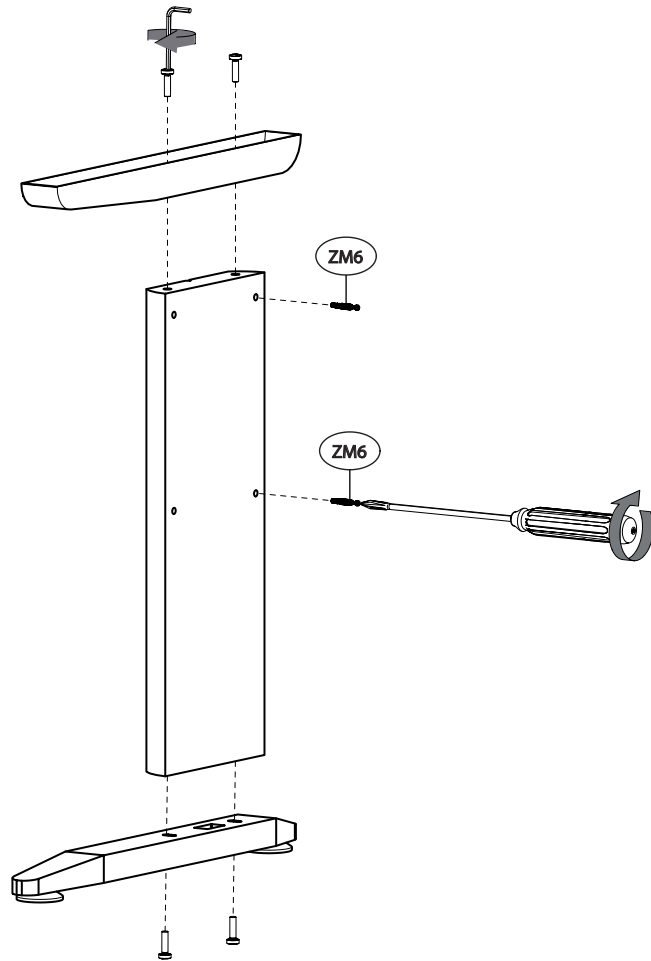




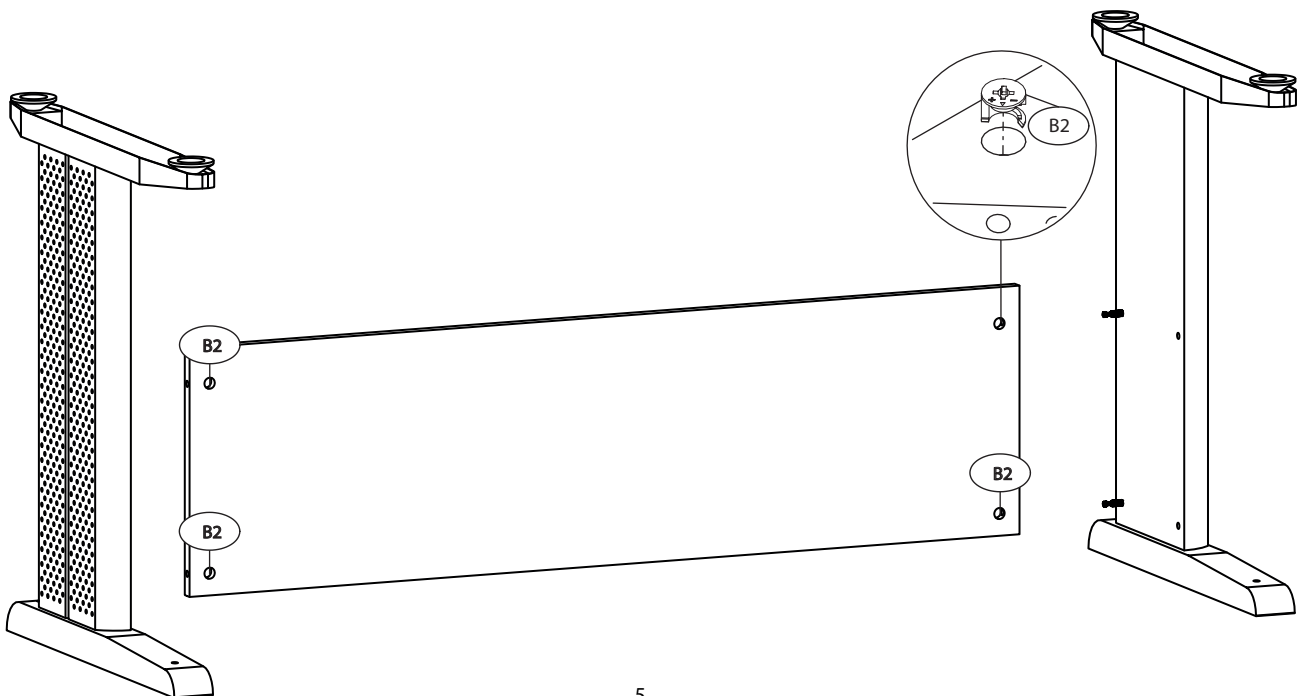
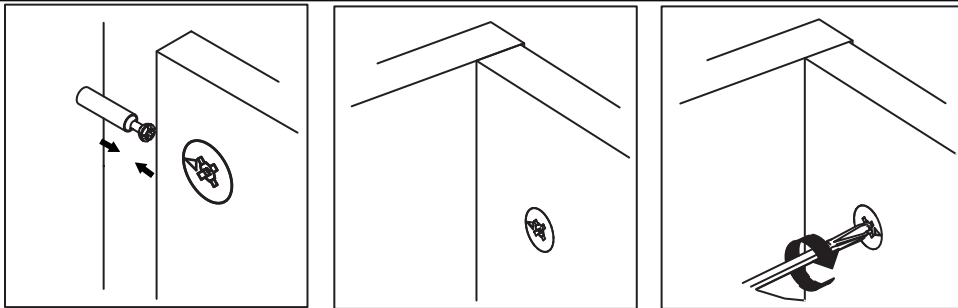
	CODE			
1	OPTIMAL16_01	918	674	1
2	OPTIMAL16_02	738	334	1
3				
4				
5				
6				



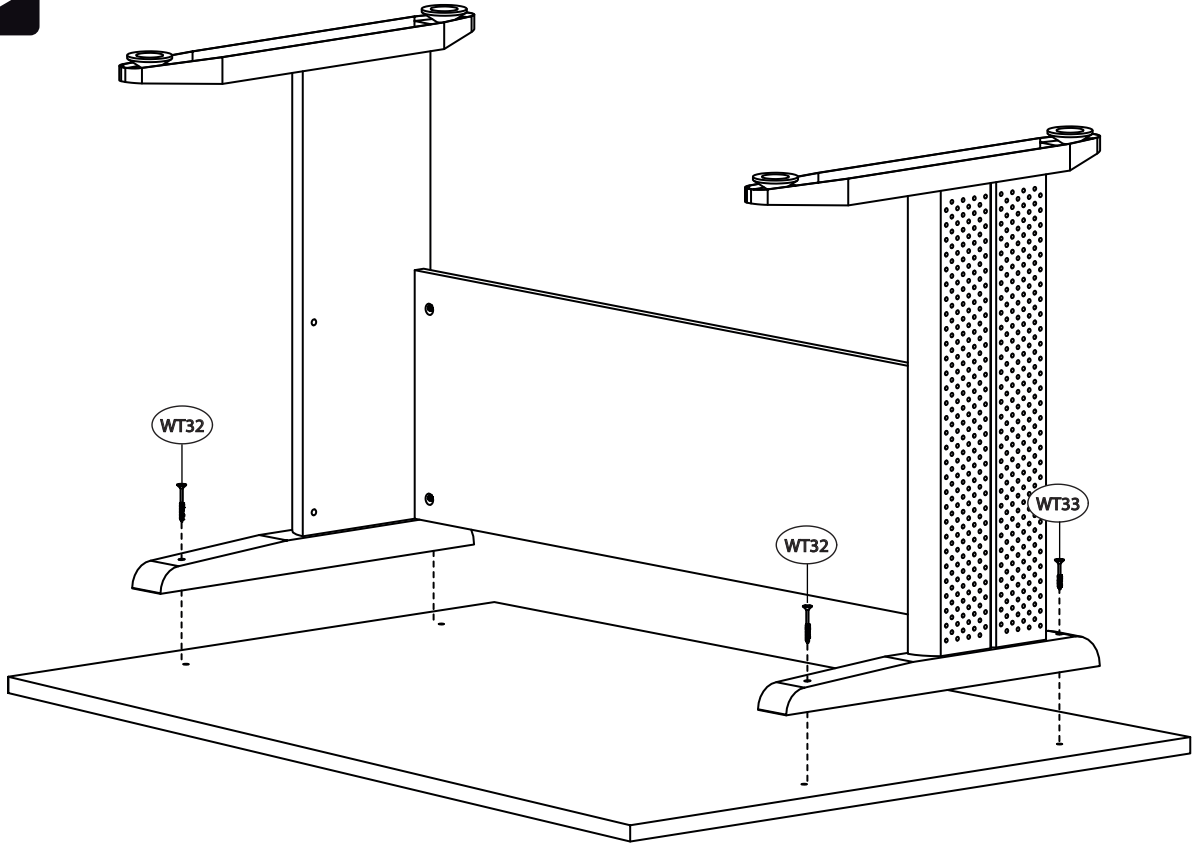
**A** ▶



**B** ▶



C ▶



D ▶

